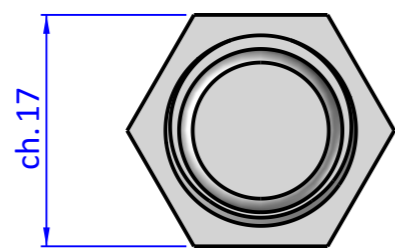
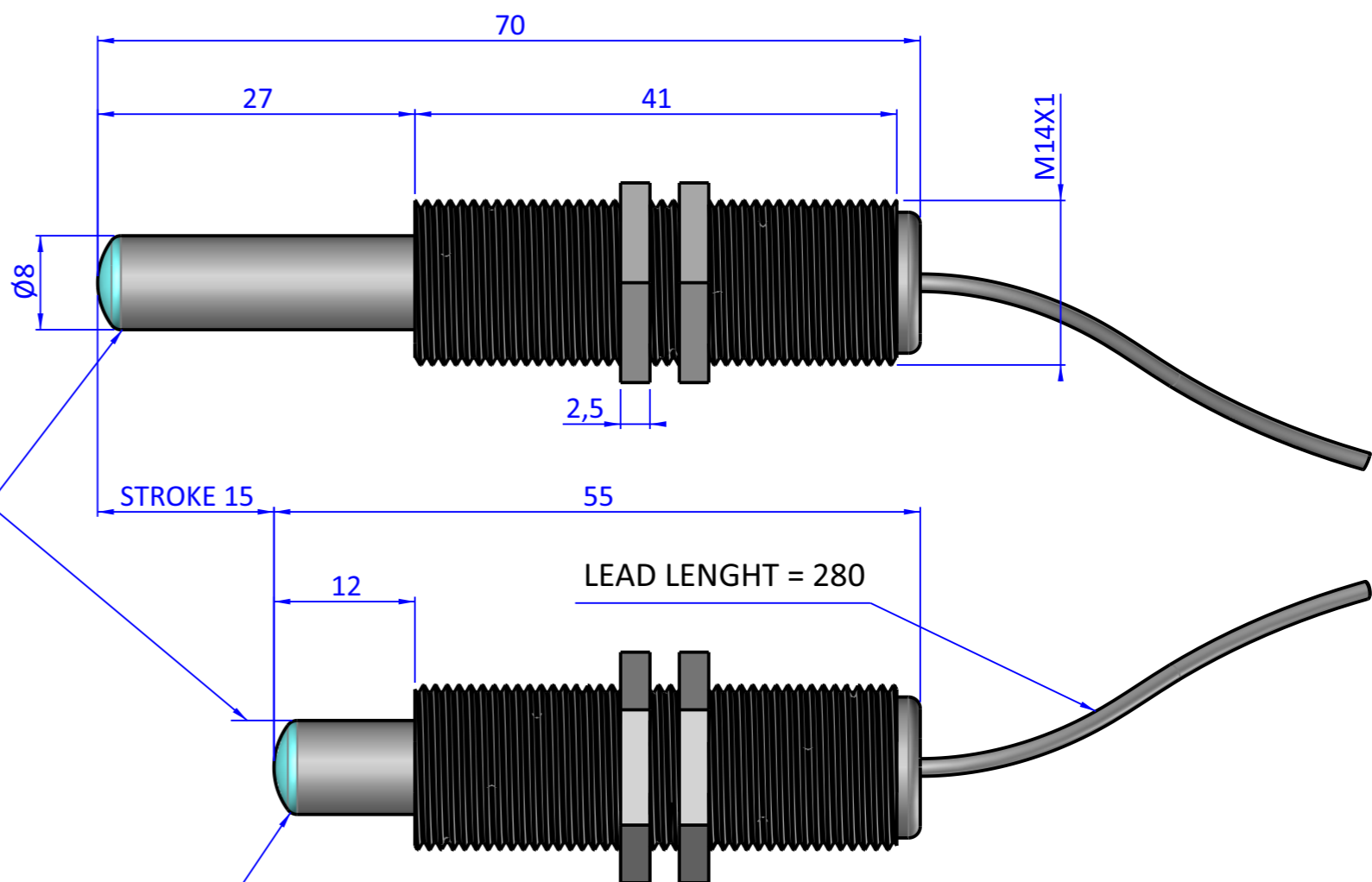


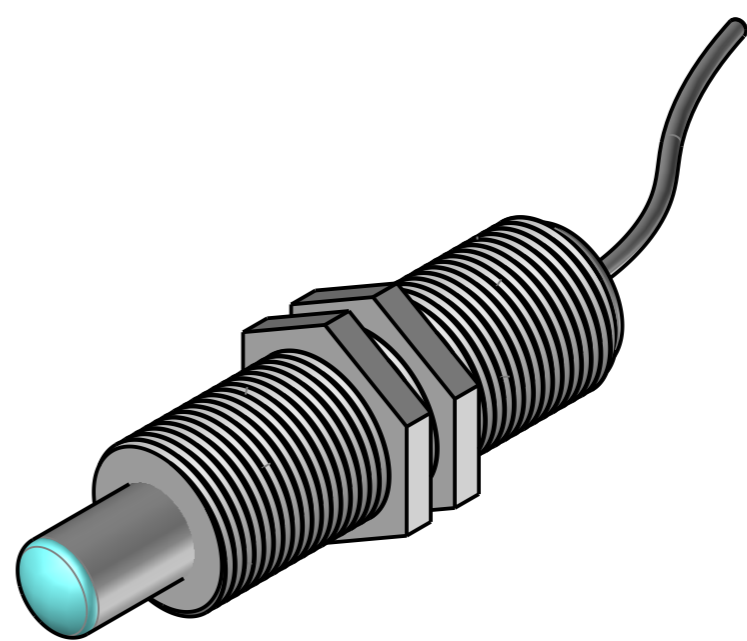
THE PROPERTY OF THE DRAWING IS ESTABLISHED BY LAW. IT IS FORBIDDEN TO PRODUCE OR SHOW IT TO THIRD PART WITHOUT A WRITTEN AGREEMENT.



SENSING STROKE 2-15



REPLACEMENT RUBBER HEAD: CA.SSW15.SH



Electrical specifications

| TYPE | | SSW-15 |
|-------------------------|-------------------------------------|--|
| Contact point | Contact point type | 1A |
| | Contact position | Off center gap |
| | Maximum contact capacity | 20W |
| | Maximum open/close voltage | 200VDC |
| | Maximum open/close electric current | 0.5A |
| Electric Characteristic | Turn-on value** | 15-50A** |
| | Detecting stroke | 2.5mm ~ 15mm |
| | Open value** | 5A (min) |
| | Withstand voltage** | 250VDC |
| Others | Operation temperature | - 25°C to 80°C |
| | Useful life | 1 × 10 ⁷ times / DC10mV-10μA |
| | | 1 × 10 ⁷ times / DC10V-4mA |
| | | 250 × 10 ⁷ times / DC20V-0.5A |
| | Connection method | Code drawing type (280mm) |
| Spring force | 0.5N | |

*1 Crossing in shipment : ±2A
 *2 Voltage withstanding standard: turn-on value 25A or more

Format A3
 UNI 936-76

| | | | | |
|---|--|----------------|---------|--------|
| | | DESIGNED FROM | | REVIEW |
| | | FPS Automation | | A |
| GENERAL TOLERANCE UNI - ISO 2768 CLASSE f | | DATE | WEIGHT | |
| | | 01/09/2022 | 0,028kg | |
| DESCRIPTION CA.SSW15 | | CODE | | |
| | | CA.SSW15 | | |